



Join



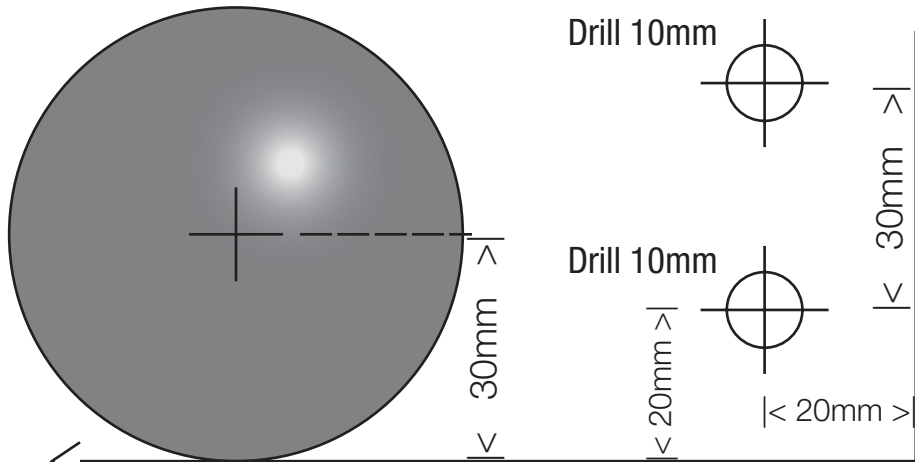
Support

How to make awesome edges from wood you'll find in alleys and dumpsters using only a handsaw and cordless drill

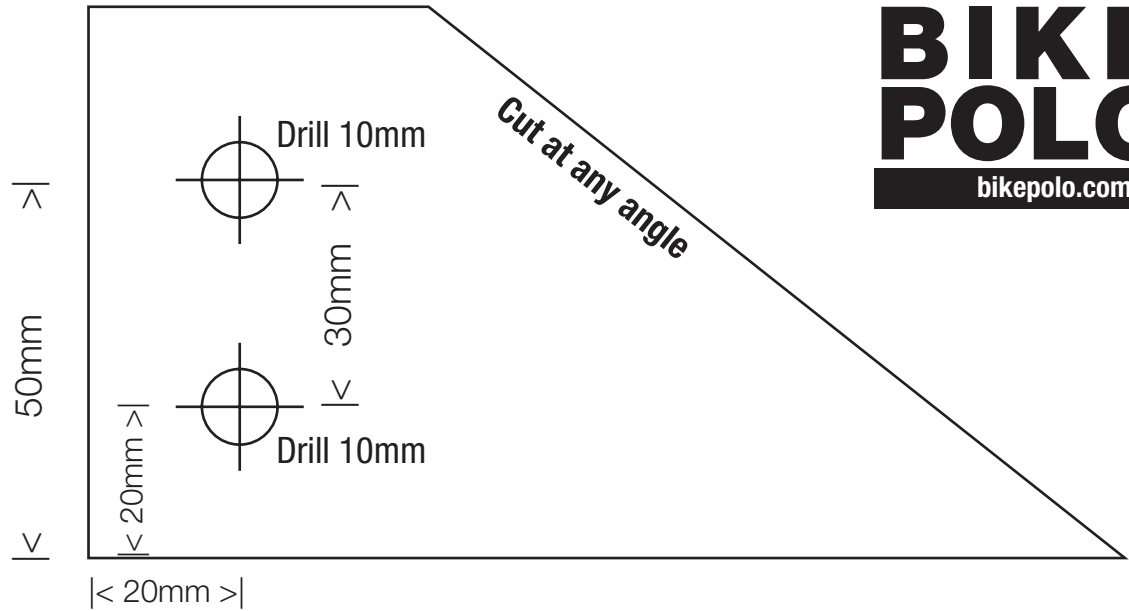


Use releasable cable ties, carry them with your kit

Use any length and height plank



Cut planks short and carry them or leave them long and stash them. Use a holesaw, combination lock and chain for extra security



Create plenty support pieces with offcuts and stash them in the bushes

